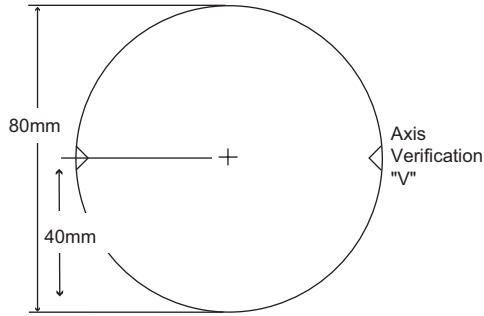


PRODUCT REFERENCE GUIDE

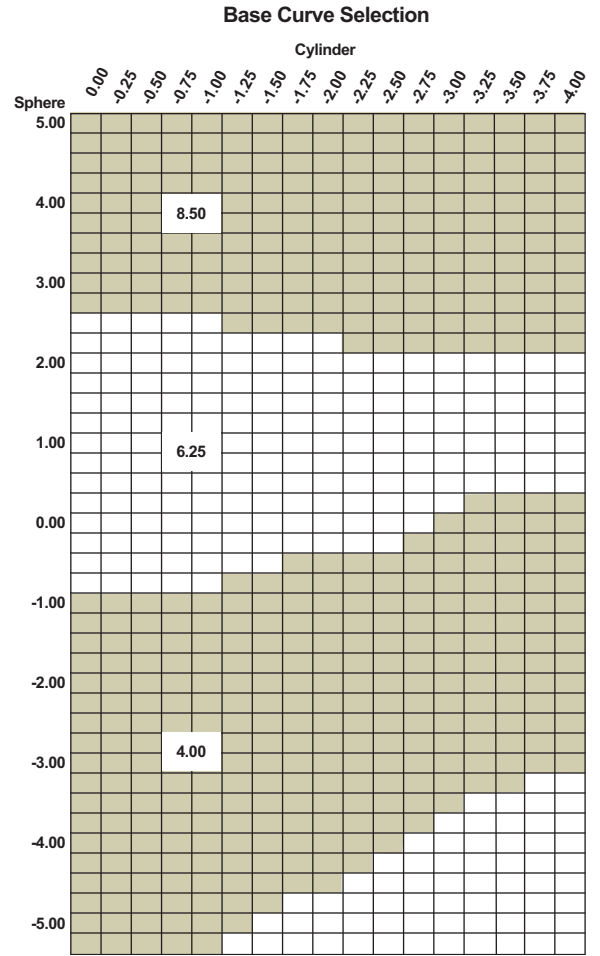


Polycarbonate

SunRx® Prescription Polarized
Semi-Finished Single Vision
80mm Polarized Single Vision (Gray)

| Base Curve | True Curve (1.530) | Front Radius | 50mm SAG* | Back Curve | Back Radius | CT (mm) Nominal | CT (mm) Minimum | ET (mm) Nominal |
|------------|--------------------|--------------|-----------|------------|-------------|-----------------|-----------------|-----------------|
| 4.00 | 4.07 | 130.221 | 2.422 | -7.50 | -70.67 | 7.5 | 7.0 | 13.7 |
| 6.25 | 6.33 | 83.728 | 3.819 | -7.50 | -70.67 | 8.6 | 8.1 | 10.9 |
| 8.50 | 8.20 | 64.63 | 5.031 | -7.50 | -70.67 | 10.7 | 10.2 | 9.3 |

*Utilized for power calculation only, not for thickness calculation.



[Click Here](#) for Technical Tips

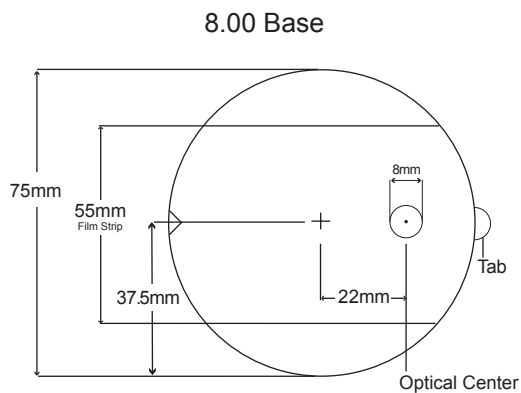
PRODUCT REFERENCE GUIDE

Polycarbonate

SunRx[®] Polarized Plano Lenses (Plano Uncuts)
75mm Finished Single Vision (Gray and Brown)

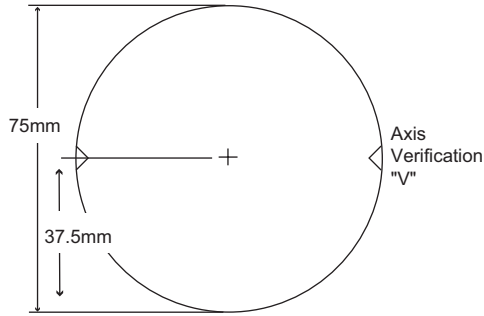
| Base Curve | Front Curve | Front Radius | CT (mm) Nominal |
|------------|-------------|--------------|-----------------|
| 6.00 | 5.60 | 94.64 | 2.0 |
| 8.00* | 7.60 | 69.74 | 2.0 |

*De-centered. The optical center of the 8.00 base is an 8mm diameter circle from the geometric center along a line connecting the geometric center and the center of the tab.



[Click Here](#) for Technical Tips

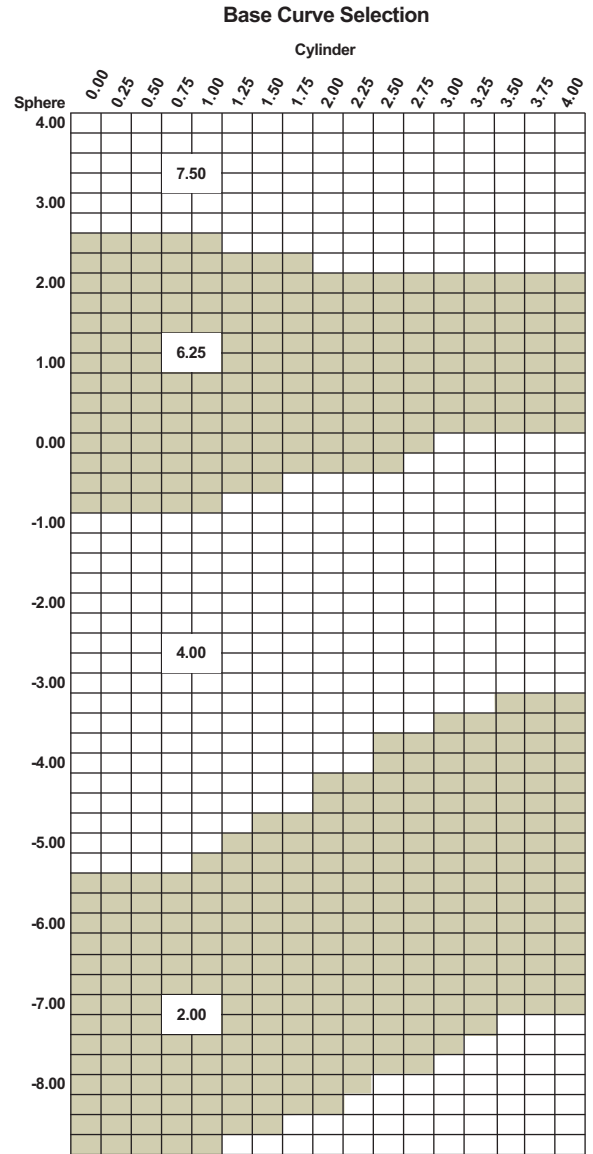
PRODUCT REFERENCE GUIDE



SunRx® Prescription Polarized Semi-Finished Single Vision 75mm Polarized Single Vision (Mirror Coated: Blue, Gold, Silver)

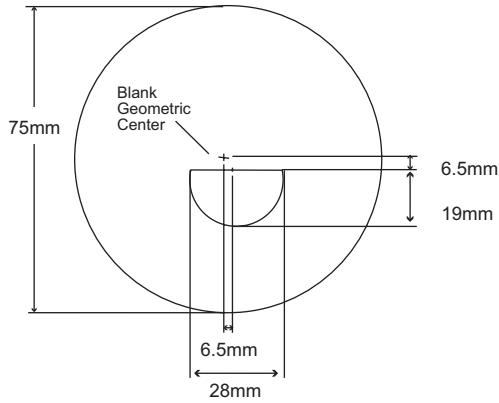
| Base Curve | True Curve (1.530) | Front Radius | 50mm SAG* | Back Curve | Back Radius | CT (mm) Nominal | ET (mm) Nominal |
|------------|--------------------|--------------|-----------|------------|-------------|-----------------|-----------------|
| 2.00 | 2.03 | 261.084 | 1.200 | -6.25 | -84.800 | 8.0 | 14.0 |
| 4.00 | 4.07 | 130.221 | 2.422 | -6.25 | -84.800 | 8.8 | 12.0 |
| 6.25 | 6.33 | 83.728 | 3.819 | -6.25 | -84.800 | 8.1 | 8.0 |
| 7.50 | 7.46 | 71.046 | 4.544 | -6.25 | -84.800 | 9.0 | 7.0 |

*Utilized for power calculation only, not for thickness calculation.



[Click Here](#) for Technical Tips

PRODUCT REFERENCE GUIDE



Polycarbonate

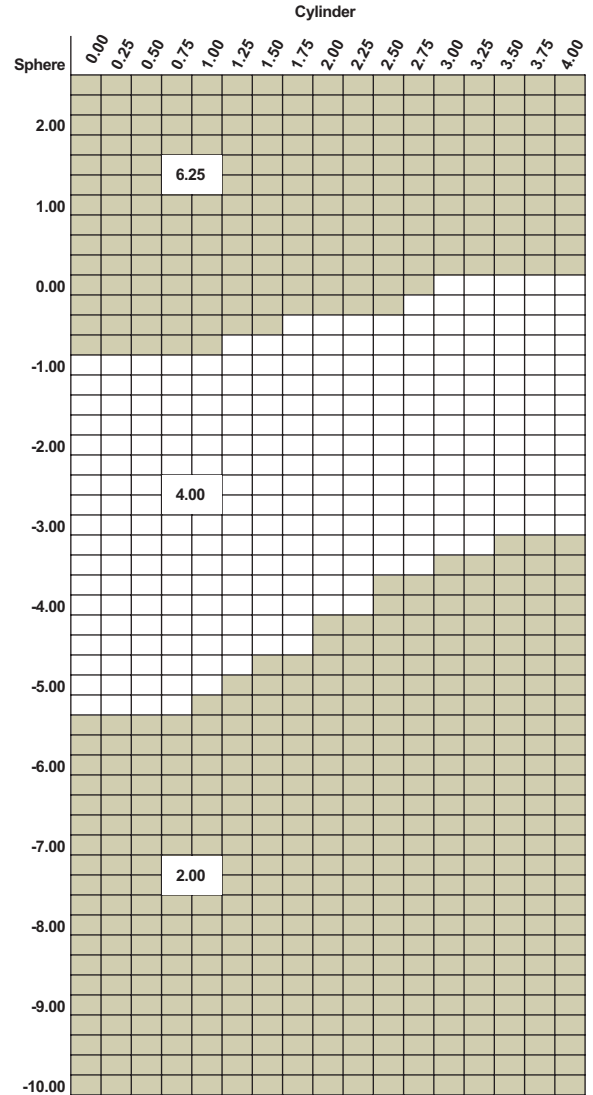
SunRx® Prescription Polarized Bifocal 75mm Polarized D28 Bifocal (Gray, Brown and Classic Green)

| Base Curve | True Curve (1.530) | Front Radius | 50mm SAG* | Back Curve | Back Radius | CT (mm) Nominal | ET (mm) Nominal | Segment Drop | Location Inset |
|------------|--------------------|--------------|-----------|------------|-------------|-----------------|-----------------|--------------|----------------|
| 2.00 | 2.03 | 261.084 | 1.200 | -6.25 | -84.800 | 8.0 | 14.0 | 6.5 D | 6.5 In |
| 4.00 | 4.07 | 130.221 | 2.422 | -6.25 | -84.800 | 8.8 | 12.0 | 6.5 D | 6.5 In |
| 6.25 | 6.33 | 83.728 | 3.819 | -6.25 | -84.800 | 8.1 | 8.0 | 6.5 D | 6.5 In |

| Base Curve | Gray | Brown | Classic Green |
|------------|----------------|----------------|----------------|
| 2.00 | +1.00 to +3.00 | +1.00 to +3.00 | - |
| 4.00 | +1.00 to +3.00 | +1.00 to +3.00 | +1.25 to +3.00 |
| 6.25 | +1.00 to +3.00 | +1.00 to +3.00 | +1.25 to +3.00 |

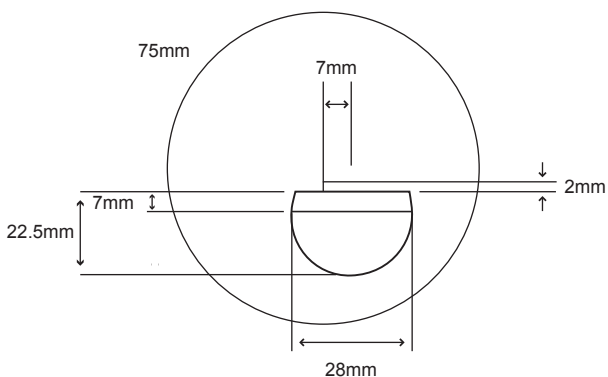
*Utilized for power calculation only, not for thickness calculation.

Base Curve Selection



[Click Here](#) for Technical Tips

PRODUCT REFERENCE GUIDE



Polycarbonate

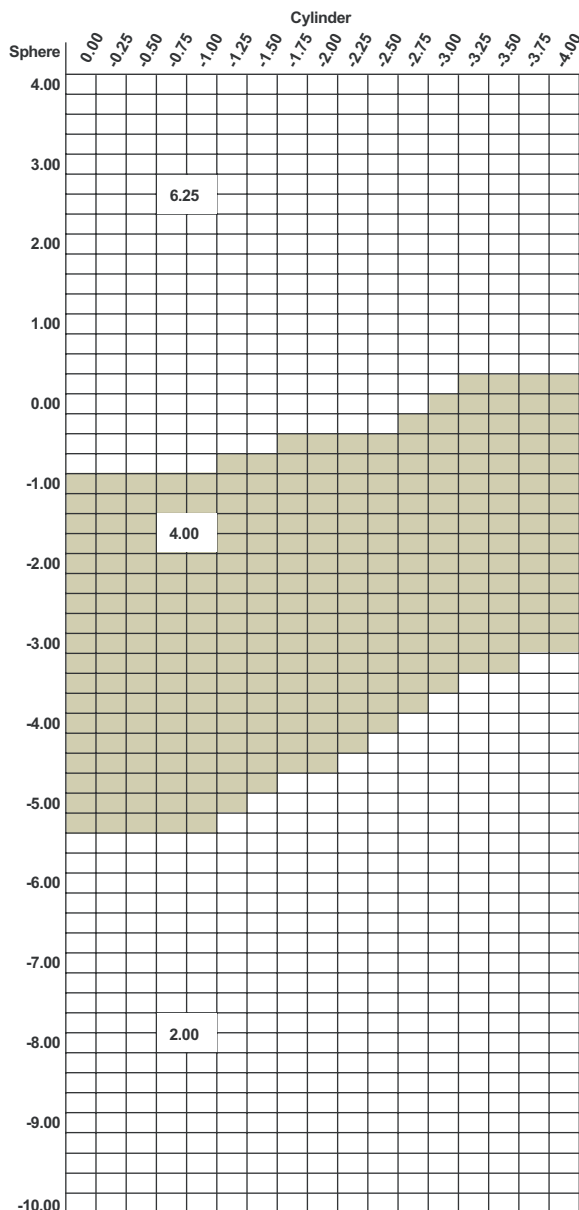
SunRx® Prescription Polarized Trifocal 75mm Polarized 7x28 Trifocal (Gray)

| Base Curve | True Curve (1.530) | Front Radius | 50mm SAG* | Back Curve | Back Radius | CT (mm) Nominal | ET (mm) Nominal | Segment Drop | Location Inset |
|------------|--------------------|--------------|-----------|------------|-------------|-----------------|-----------------|--------------|----------------|
| 2.00 | 2.03 | 261.084 | 1.200 | -6.25 | -84.800 | 8.0 | 14.0 | 2.0 D | 7.0 In |
| 4.00 | 4.07 | 130.221 | 2.422 | -6.25 | -84.800 | 8.8 | 12.0 | 2.0 D | 7.0 In |
| 6.25 | 6.33 | 83.728 | 3.819 | -6.25 | -84.800 | 8.1 | 8.0 | 2.0 D | 7.0 In |

| Base Curve | Gray |
|------------|----------------|
| 2.00 | +1.50 to +3.00 |
| 4.00 | +1.50 to +3.00 |
| 6.25 | +1.50 to +3.00 |

*Utilized for power calculation only, not for thickness calculation.

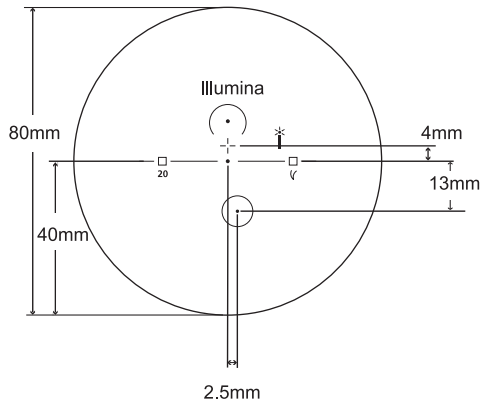
Base Curve Selection



[Click Here](#)

for Technical Tips

PRODUCT REFERENCE GUIDE



Polycarbonate

Illumina® SunRx® Polarized Aspheric Progressive Addition Lenses
 80mm Polarized Progressive (Gray and Classic Green)

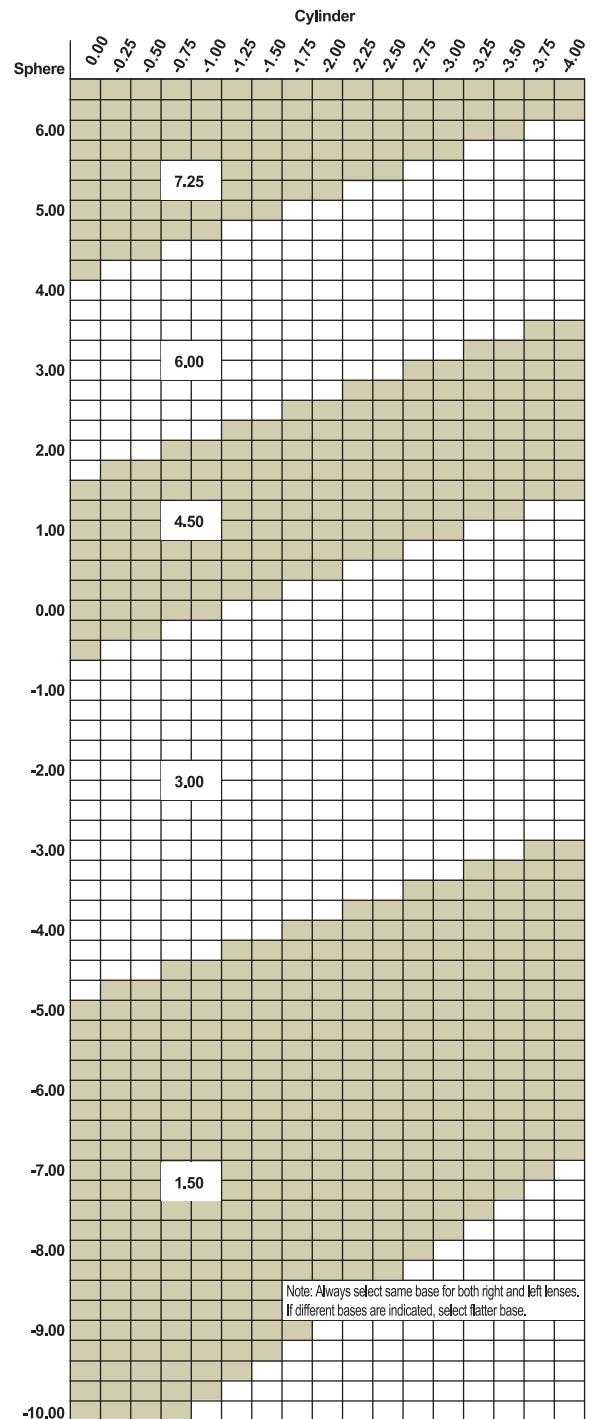
| Base Curve | True Curve (1.530) | Front Radius | 50mm SAG* | Back Curve | Back Radius | CT (mm) Nominal | ET (mm) Nominal | MRP Location |
|------------|--------------------|--------------|-----------|------------|-------------|-----------------|-----------------|--------------|
| 1.50 | 1.61 | 329.192 | 0.945 | -6.25 | -84.800 | 8.7 | 15.5 | 4.0 A 0.0 In |
| 3.00 | 3.03 | 174.917 | 1.800 | -6.25 | -84.800 | 8.6 | 13.0 | 4.0 A 0.0 In |
| 4.50 | 4.50 | 117.777 | 2.684 | -4.53 | -116.997 | 10.7 | 9.5 | 4.0 A 0.0 In |
| 6.00 | 6.00 | 88.333 | 3.612 | -6.25 | -84.800 | 9.7 | 9.0 | 4.0 A 0.0 In |
| ** 7.25 | 7.25 | 73.103 | 4.408 | -7.50 | -70.667 | 9.8 | 9.5 | 4.0 A 0.0 In |

| Base Curve | Gray | Classic Green |
|------------|----------------|----------------|
| 1.50 | +0.75 to +3.50 | +1.25 to +3.00 |
| 3.00 | +0.75 to +3.50 | +1.25 to +3.00 |
| 4.50 | +0.75 to +3.50 | +1.25 to +3.00 |
| 6.00 | +0.75 to +3.50 | +1.25 to +3.00 |
| 7.25 | +0.75 to +3.50 | - |

*Utilized for power calculation only, not for thickness calculation.

**Not available in Classic Green.

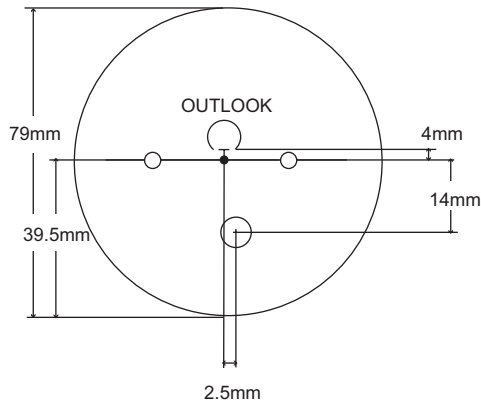
Base Curve Selection



Note: Always select same base for both right and left lenses. If different bases are indicated, select flatter base.

[Click Here](#) for Technical Tips

PRODUCT REFERENCE GUIDE



Polycarbonate

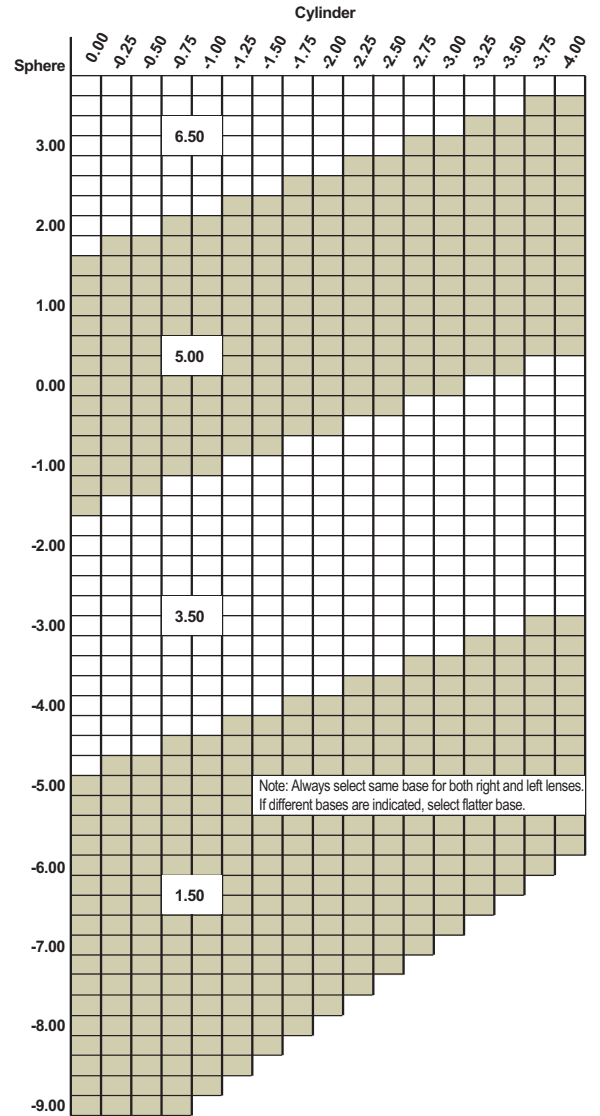
Outlook® SunRx® Polarized Aspheric Progressive Addition Lenses
 80mm Polarized Progressive (Gray and Brown)

| Base Curve | True Curve (1.530) | Front Radius | 50mm SAG* | Back Curve | Back Radius | CT (mm) Nominal | ET (mm) Nominal | MRP Location |
|------------|--------------------|--------------|-----------|------------|-------------|-----------------|-----------------|--------------|
| 1.50 | 1.59 | 333.333 | 0.939 | -6.25 | -84.800 | 8.5 | 15.5 | 4.0 A 0.0 In |
| 3.50 | 3.42 | 154.871 | 2.030 | -6.25 | -84.800 | 9.7 | 13.5 | 4.0 A 0.0 In |
| 5.00 | 4.95 | 107.071 | 2.960 | -6.25 | -84.800 | 8.0 | 9.5 | 4.0 A 0.0 In |
| 6.50 | 6.44 | 82.298 | 3.889 | -6.25 | -84.800 | 10.5 | 10.1 | 4.0 A 0.0 In |

| Base Curve | Gray | Brown |
|------------|----------------|----------------|
| 1.50 | +1.00 to +3.00 | +1.00 to +3.00 |
| 3.50 | +1.00 to +3.00 | +1.00 to +3.00 |
| 5.00 | +1.00 to +3.00 | +1.00 to +3.00 |
| 6.50 | +1.00 to +3.00 | +1.00 to +3.00 |

*Utilized for power calculation only, not for thickness calculation.

Base Curve Selection



[Click Here](#) for Technical Tips