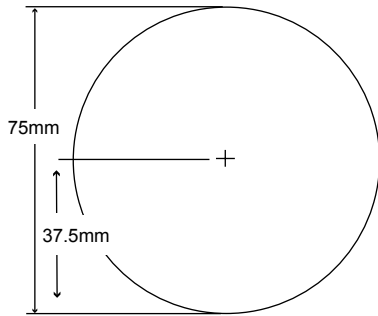


PRODUCT REFERENCE GUIDE



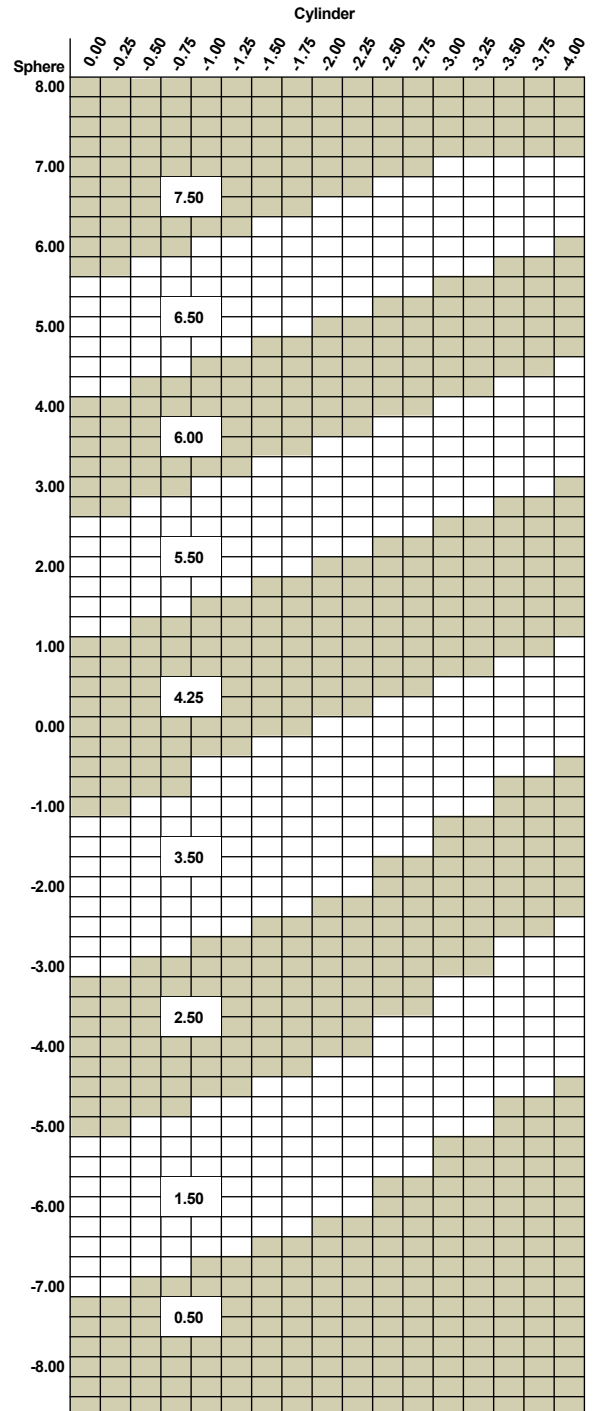
Polycarbonate

LifeRx® Light-Responsive
Aspheric Semi-Finished Single Vision
75mm Photochromic Aspheric Single Vision (Gray, Brown)

Base Curve	True Curve (1.530)	Front Radius	50mm SAG*	Back Curve	Back Radius	CT (mm) Nominal	ET (mm) Nominal	Drop	Inset
0.50	0.68	779.412	0.401	-6.25	-84.800	8.7	16.0	0.0 D	0.0 In
1.50	1.59	333.333	0.939	-6.25	-84.800	9.8	16.0	0.0 D	0.0 In
2.50	2.48	213.710	1.467	-6.25	-84.800	8.9	14.0	0.0 D	0.0 In
3.50	3.38	156.805	2.006	-6.25	-84.800	8.0	12.0	0.0 D	0.0 In
4.25	4.28	123.832	2.550	-6.25	-84.800	7.0	10.0	0.0 D	0.0 In
5.50	5.59	94.812	3.355	-6.25	-84.800	6.7	8.0	0.0 D	0.0 In
6.00	6.01	88.186	3.618	-6.25	-84.800	7.0	8.0	0.0 D	0.0 In
6.50	6.64	79.819	4.016	-6.25	-84.800	7.6	8.0	0.0 D	0.0 In
7.50	7.59	69.829	5.251	-6.25	-84.800	8.9	8.0	0.0 D	0.0 In

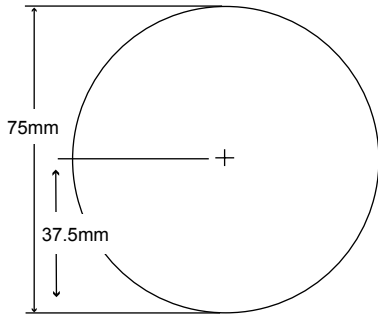
*Utilized for power calculation only, not for thickness calculation.

Base Curve Selection



[Click Here](#) for Technical Tips

PRODUCT REFERENCE GUIDE



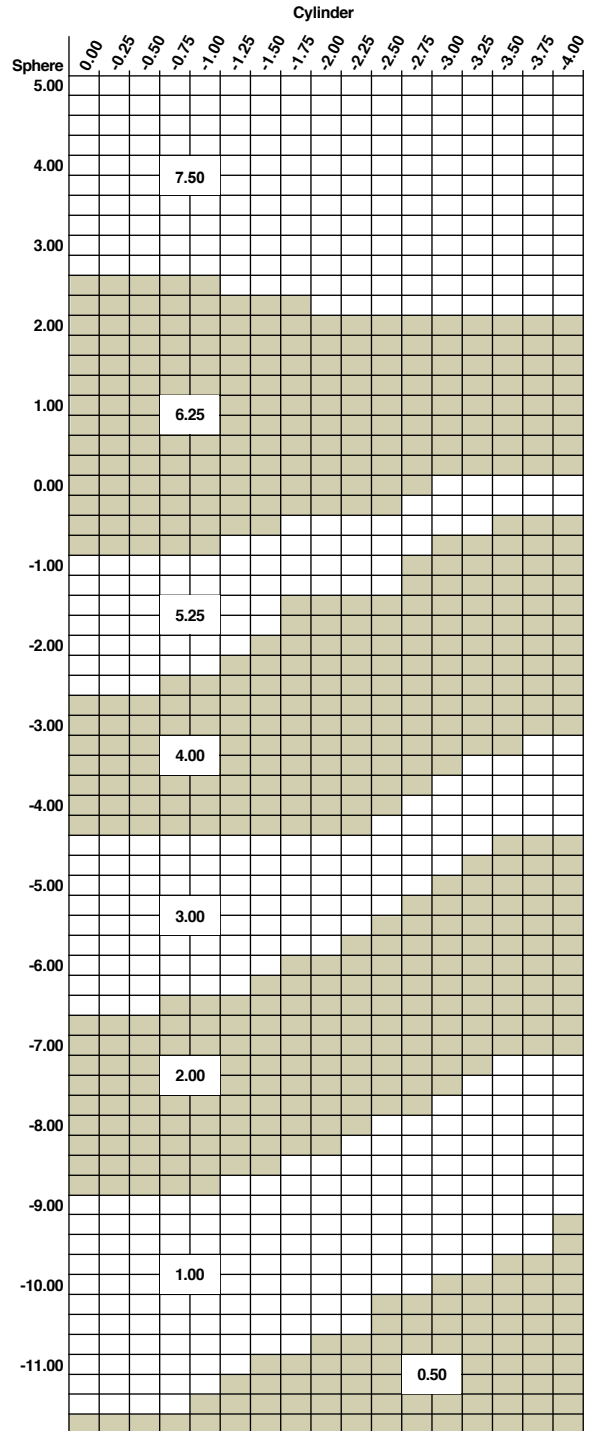
Polycarbonate

LifeRx® Light-Responsive
Semi-Finished Single Vision
75mm Photochromic Single Vision (Gray, Brown)

Base Curve	True Curve (1.530)	Front Radius	50mm SAG*	Back Curve	Back Radius	CT (mm) Nominal	CT (mm) Minimum	ET (mm) Nominal
0.50	0.45	1177.778	0.265	-6.25	-84.800	9.4	8.9	17.5
1.00	1.13	469.027	0.667	-6.25	-84.800	10.2	9.7	17.4
2.00	2.03	261.084	1.200	-6.25	-84.800	8.0	7.5	14.0
3.00	2.94	180.272	1.742	-6.25	-84.800	9.2	8.7	14.0
4.00	4.07	130.221	2.422	-6.25	-84.800	8.8	8.3	12.0
5.25	5.20	101.923	3.114	-6.25	-84.800	8.6	8.1	10.2
6.25	6.33	83.728	3.819	-6.25	-84.800	8.1	7.6	8.0
7.50	7.46	71.046	4.544	-6.25	-84.800	9.0	8.5	7.0

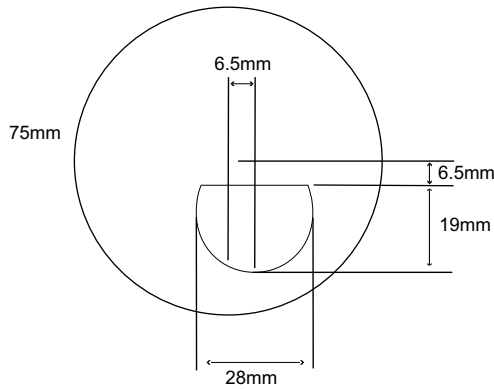
*Utilized for power calculation only, not for thickness calculation.

Base Curve Selection



[Click Here](#) for Technical Tips

PRODUCT REFERENCE GUIDE



Polycarbonate

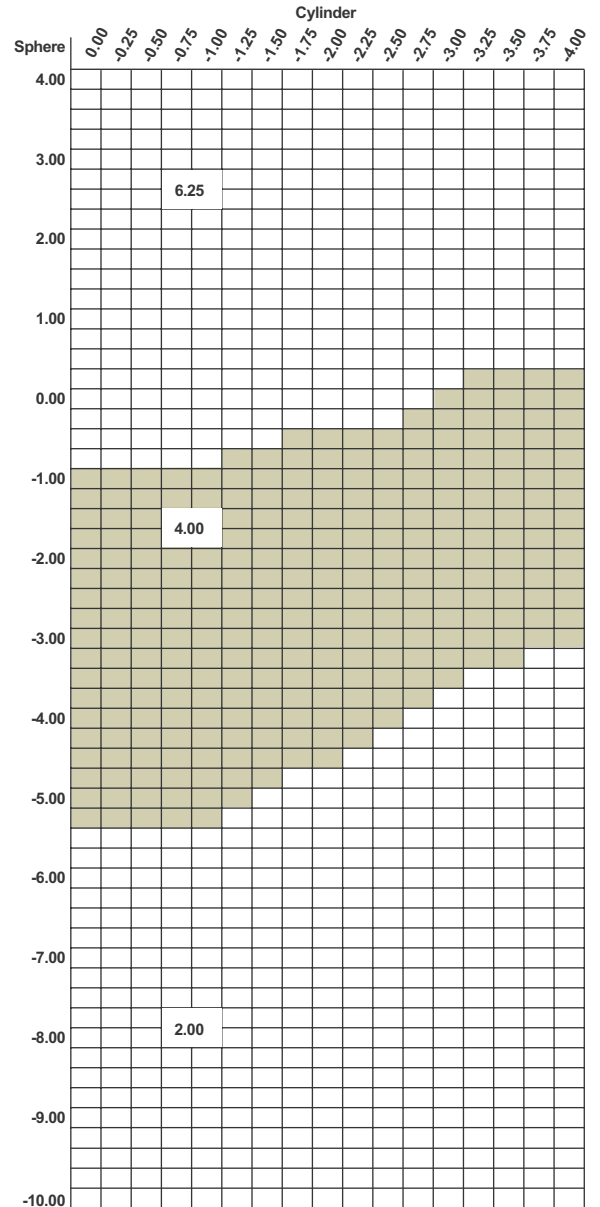
LifeRx® Light-Responsive Bifocal
75mm Photochromic Spherical D28 Bifocal (Gray, Brown)

Base Curve Inset	True Curve (1.530)	Front Radius	50mm SAG*	Back Curve	Back Radius	CT (mm) Nominal	ET (mm) Nominal	Drop
2.00	2.03	261.084	1.200	-6.25	-84.800	8.0	14.0	6.5 D 6.5 In
4.00	4.07	130.221	2.422	-6.25	-84.800	8.8	12.0	6.5 D 6.5 In
6.25	6.36	83.333	3.838	-6.25	-84.800	8.6	8.5	6.5 D 6.5 In

Base Curve	Gray	Brown
2.00	+1.00 to +3.00	+1.00 to +3.00
4.00	+1.00 to +3.00	+1.00 to +3.00
6.25	+1.00 to +3.00	+1.00 to +3.00

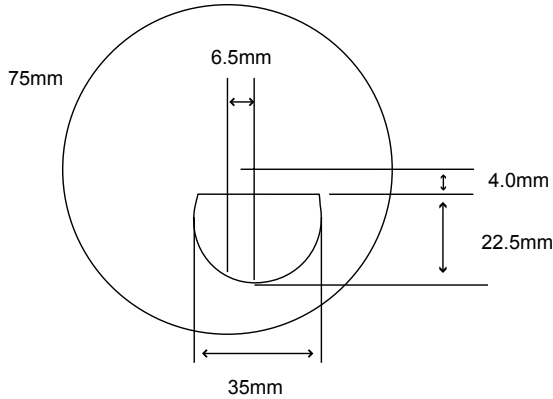
*Utilized for power calculation only, not for thickness calculation.

Base Curve Selection



[Click Here](#) for Technical Tips

PRODUCT REFERENCE GUIDE



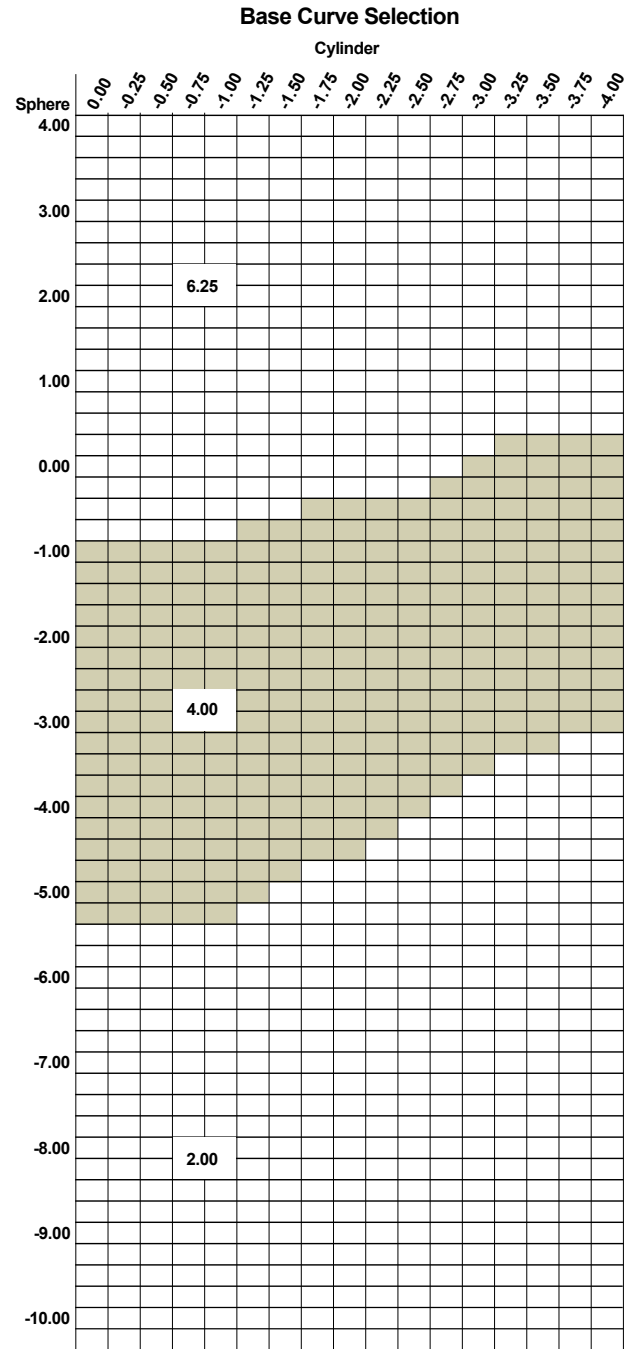
Polycarbonate

LifeRx® Light-Responsive Bifocal
75mm Photochromic Spherical D35 Bifocal (Gray, Brown)

Base Curve	True Curve (1.530)	Front Radius	50mm SAG*	Back Curve	Back Radius	CT (mm) Nominal	ET (mm) Nominal	Drop	Inset
2.00	2.03	261.084	1.200	-6.25	-84.800	8.0	14.0	4.0 D	6.5 In
4.00	4.07	130.221	2.422	-6.25	-84.800	8.8	12.0	4.0 D	6.5 In
6.25	6.33	83.728	3.819	-6.25	-84.800	8.6	8.5	4.0 D	6.5 In

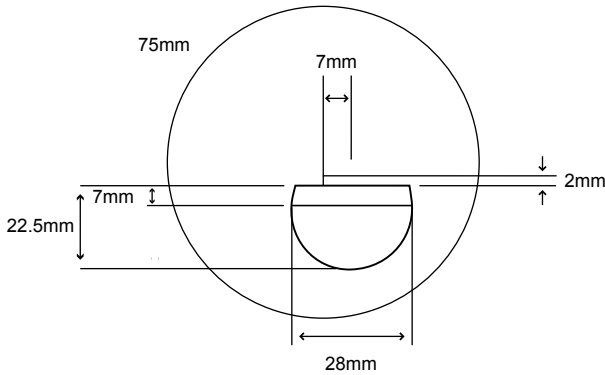
Base Curve	Gray	Brown
2.00	+1.00 to +3.00	+1.00 to +3.00
4.00	+1.00 to +3.00	+1.00 to +3.00
6.25	+1.00 to +3.00	+1.00 to +3.00

*Utilized for power calculation only, not for thickness calculation.



[Click Here](#) for Technical Tips

PRODUCT REFERENCE GUIDE



Polycarbonate

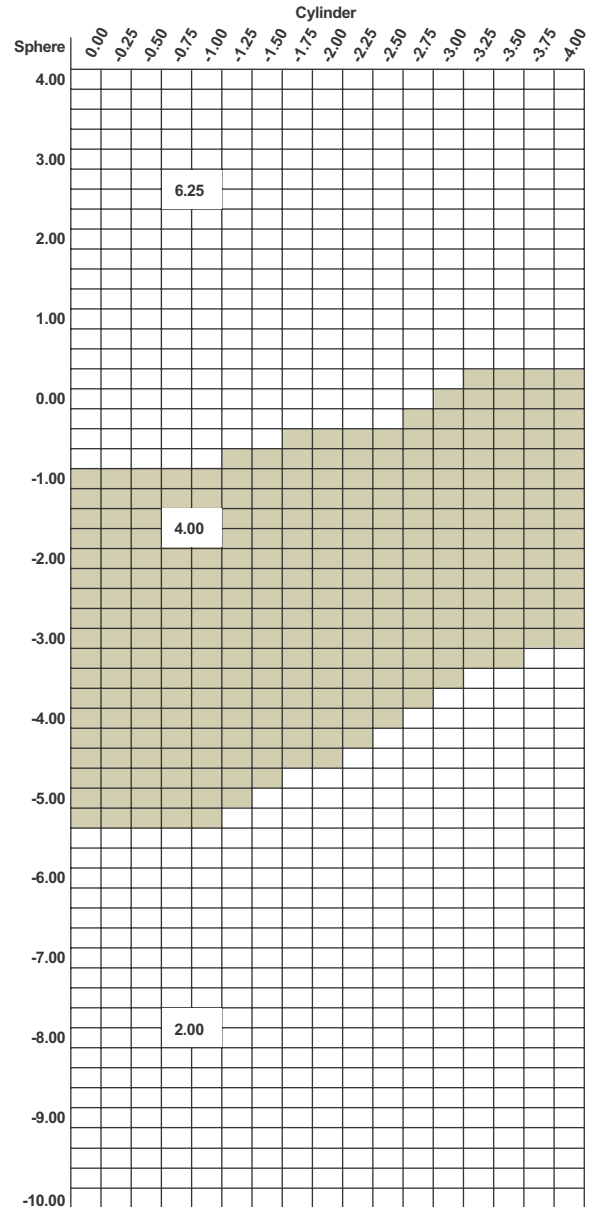
LifeRx® Light-Responsive Trifocal
75mm Photochromic Spherical 7x28 Trifocal (Gray, Brown)

Base Curve Inset	True Curve (1.530)	Front Radius	50mm SAG*	Back Curve	Back Radius	CT (mm) Nominal	ET (mm) Nominal	Drop
2.00	2.03	261.084	1.200	-6.25	-84.800	8.0	14.0	2.0 D 7.0 In
4.00	4.07	130.221	2.422	-6.25	-84.800	8.8	12.0	2.0 D 7.0 In
6.25	6.36	83.333	3.838	-6.25	-84.800	8.6	8.5	2.0 D 7.0 In

Base Curve	Gray	Brown
2.00	+1.50 to +3.00	+1.50 to +3.00
4.00	+1.50 to +3.00	+1.50 to +3.00
6.25	+1.50 to +3.00	+1.50 to +3.00

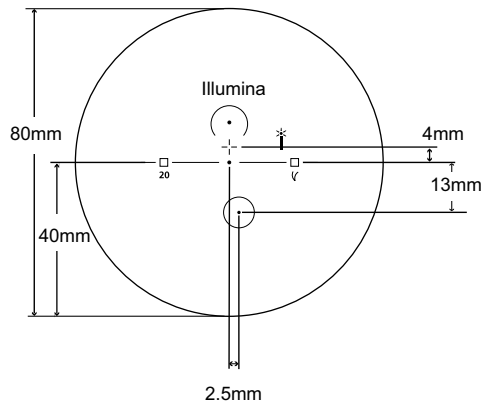
*Utilized for power calculation only, not for thickness calculation.

Base Curve Selection



[Click Here](#) for Technical Tips

PRODUCT REFERENCE GUIDE



Polycarbonate

Illumina® LifeRx® Light-Responsive Aspheric Progressive Addition Lenses

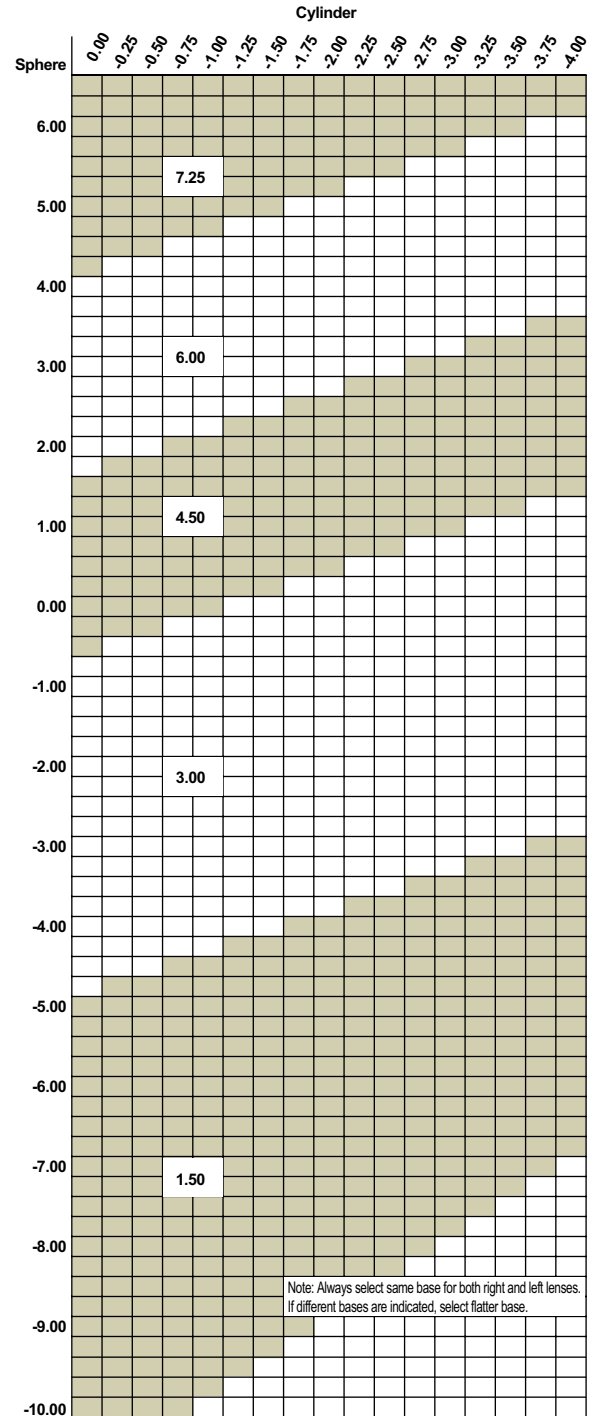
80mm Progressive (Gray, Brown)

Base Curve Location	True Curve (1.530)	Front Radius	50mm SAG*	Back Curve	Back Radius	CT (mm) Nominal	ET (mm) Nominal	MRP
1.50	1.61	329.192	0.945	-6.25	-84.800	8.7	15.5	4.0 A 0.0 In
3.00	3.00	176.666	1.778	-6.25	-84.800	8.6	13.0	4.0 A 0.0 In
4.50	4.50	117.777	2.684	-4.53	-116.997	10.7	9.5	4.0 A 0.0 In
6.00	6.00	88.333	3.612	-6.25	-84.800	9.7	9.0	4.0 A 0.0 In
7.25	7.25	73.103	4.408	-7.50	-70.667	9.8	9.5	4.0 A 0.0 In

Base Curve	Gray	Brown
1.50	+0.75 to +3.50	+0.75 to +3.50
3.00	+0.75 to +3.50	+0.75 to +3.50
4.50	+0.75 to +3.50	+0.75 to +3.50
6.00	+0.75 to +3.50	+0.75 to +3.50
7.25	+0.75 to +3.50	+0.75 to +3.50

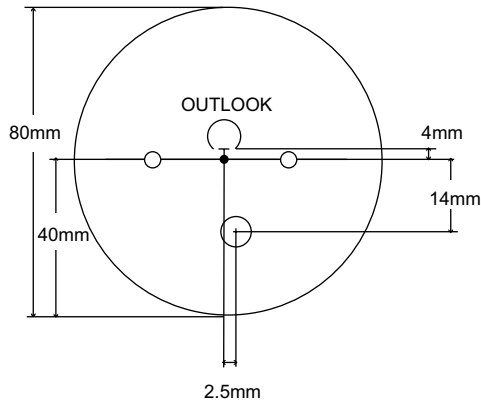
*Utilized for power calculation only, not for thickness calculation.

Base Curve Selection



[Click Here](#) for Technical Tips

PRODUCT REFERENCE GUIDE



Polycarbonate

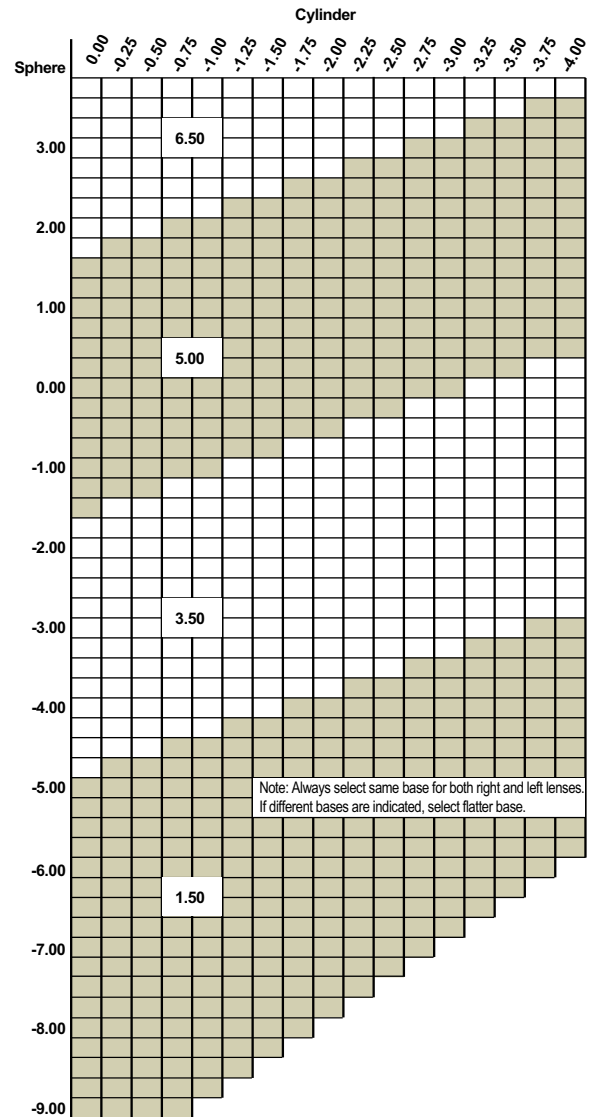
Outlook® LifeRx® Light-Responsive
Progressive Addition Lenses
80mm Progressive (Gray, Brown)

Base Curve Location	True Curve (1.530)	Front Radius	50mm SAG*	Back Curve	Back Radius	CT (mm) Nominal	ET (mm) Nominal	MRP
1.50	1.61	329.193	0.951	-6.25	-84.800	8.5	15.5	4.0 A 0.0 In
3.50	3.38	156.805	2.006	-6.25	-84.800	9.6	13.5	4.0 A 0.0 In
5.00	4.95	107.071	2.959	-6.25	-84.800	9.1	10.5	4.0 A 0.0 In
6.50	6.44	82.298	3.889	-6.25	-84.800	10.9	9.5	4.0 A 0.0 In
7.50	7.59	69.829	4.629	-7.50	-70.667	11.0	9.5	4.0 A 0.0 In

Base Curve	Gray	Brown
1.50	+0.75 to +3.50	+0.75 to +3.50
3.50	+0.75 to +3.50	+0.75 to +3.50
5.00	+0.75 to +3.50	+0.75 to +3.50
6.50	+0.75 to +3.50	+0.75 to +3.50
7.50	+0.75 to +3.50	+0.75 to +3.50

*Utilized for power calculation only, not for thickness calculation.

Base Curve Selection



[Click Here](#) for Technical Tips